



# LED WALL PACK 50W/60W/70W

## SEMI-CUTOFF ARCHITECTURAL WALL MOUNT, DLC-LISTED

11092716



### Features

- cETLus, DLC, LM79, LM80 certifications
- Die-cast Aluminum
- Universal 120-277 V, 50/60 Hz Driver
- Optional: 1-10 V PWM, Rotating Photo Control Socket, or Motion/Daylight Sensor
- 5-year warranty

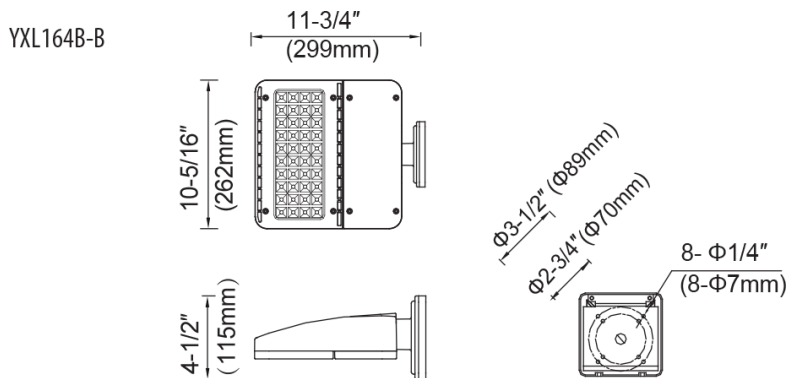


### Applications

Corridor  
Shopping Mall  
Passageway  
Park

### Specifications

Type	Semi Cut-off Architectural Wall Pack		
Power Consumption	50 W	60 W	70 W
Dimmable	No		
CCT	3,000 K / 3,500 K / 4,000 K / 5,000 K		
Luminous Output	4,850 lm	5,580 lm	5,600 lm
CRI	> 70		
MH Replacement Equivalent	100 W MH	120 W MH	150 W MH
Input Voltage	100 - 277 V AC (Optional 347 - 480 V)		
Luminous Efficacy	97 lm/W		
Power Factor	> 95%		
Operating Temperature	-4 °F to 113 °F (-20 °C to 45 °C)		
Distribution	75 x 100		
Dimensions	<b>Length</b>	<b>Height</b>	<b>Width</b>
	10.31 in (262 mm)	4.5 in (115 mm)	11.75 in (299 mm)
<b>Weight</b>	7.94 lbs (3.6 kg)		





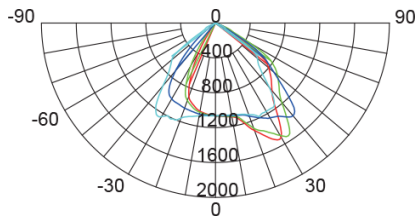
# LED WALL PACK 50W/60W/70W

## SEMI-CUTOFF ARCHITECTURAL WALL MOUNT, DLC-LISTED

11902716

Model Number	Correlated Color Temperature (CCT)	Finish	Controls
BWPA5003 -	3,000 K	[OMIT] = Light Black	[OMIT] = None
BWPA50035 -	3,500 K	DB = Dark Brown	PC = 1-10 V / PWM
BWPA5004 -	4,000 K	+	DC = Rotatable
BWPA5005 -	5,000 K		Photocontrol Socket
BWPA6003 -	3,000 K		MD = Motion/Daylight
BWPA60035 -	3,500 K		Sensor (Hi/Low/Off)
BWPA6004 -	4,000 K		
BWPA6005 -	5,000 K		
BWPA7003 -	3,000 K		
BWPA70035 -	3,500 K		
BWPA7004 -	4,000 K		
BWPA7005 -	5,000 K		

### Specifications



CD 1,000 lm