



LED WALL PACK 18W/25W

SEMI-CUTOFF ARCHITECTURAL WALL MOUNT, DLC-LISTED

11092716



Features

- cETLus, DLC, LM79, LM80 certifications
- Die-cast Aluminum
- Universal 120-277 V, 50/60 Hz Driver
- Optional: 1-10 V PWM, Rotating Photo Control Socket, or Motion/Daylight Sensor
- 5-year warranty



Applications

Corridor
Shopping Mall
Passageway
Park

Specifications

Type	Semi Cut-off Architectural Wall Pack	
Power Consumption	18 W	25 W
Dimmable	No	
CCT	3,000 K / 3,500 K / 4,000 K / 5,000 K	
Luminous Output	1,422 lm	2,200 lm
CRI	> 70	
MH Replacement Equivalent	35 W MH	50 W MH
Input Voltage	100 - 277 V AC	
Luminous Efficacy	97 lm/W	
Power Factor	> 95%	
Operating Temperature	-4 °F to 113 °F (-20 °C to 45 °C)	
Distribution	75 x 100	
Dimensions	Length	Height
	7.31 in (185.6 mm)	4.5 in (115 mm)
	Width	Weight
	9.31 in (236.5 mm)	3.97 lbs (1.8 kg)

Model Number	Correlated Color Temperature (CCT)	Finish	Controls
BWPA1803 -	3,000 K	[OMIT] = Light Black	[OMIT] = None
BWPA18035 -	3,500 K	DB = Dark Brown	PC = 1-10 V / PWM
BWPA1804 -	4,000 K		DC = Rotatable
BWPA1805 -	5,000 K		Photocontrol Socket
BWPA2503 -	3,000 K		MD = Motion/Daylight
BWPA25035 -	3,500 K		Sensor (Hi/Low/Off)
BWPA2504 -	4,000 K		
BWPA2505 -	5,000 K		

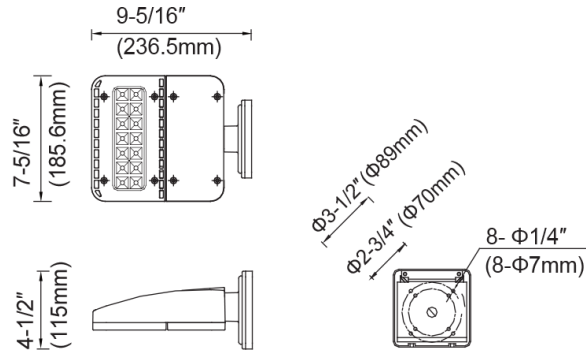


LED WALL PACK 18W/25W

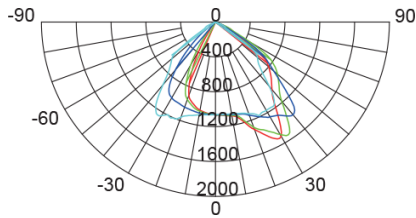
SEMI-CUTOFF ARCHITECTURAL WALL MOUNT, DLC-LISTED

11902716

YXL164A-B



Specifications



CD 1,000 lm