



LED BOLLARD 25W/35W/50W/60W

ROUND FLAT TOP

11092916



Features

- cETLus, LM79, LM80 certifications
- Extruded Aluminum & Aluminum Reflector
- Universal 120-277 V, 50/60 Hz Driver
- Optional: 1-10 V PWM
- 5-year warranty

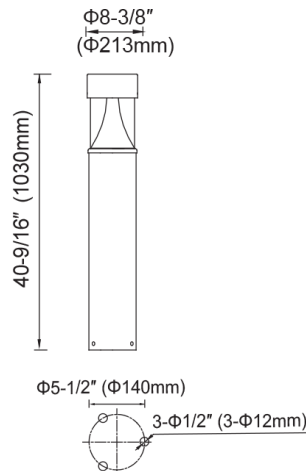


Applications

Business
Walkway
Street
Park
Community

Specifications

Type	Round Flat Top Bollard			
Power Consumption	25 W	35 W	50 W	60 W
Dimmable	No			
CCT	3,000 K / 3,500 K / 4,000 K / 4,500 K / 5,000 K			
Luminous Output	1,925 lm	3,220 lm	4,700 lm	5,220 lm
CRI	> 70			
MH Replacement Equivalent	50 W MH	70 W MH	100 W MH	120 W MH
Input Voltage	100 - 277 V AC (Optional 347 - 480 V)			
Luminous Efficacy	94 lm/W			
Power Factor	> 95%			
Operating Temperature	-4 °F to 113 °F (-20 °C to 45 °C)			
Distribution	150°			
Dimensions	Ø		Height	
	8.38 in (213 mm)		40.56 in (1,030 mm)	
Weight	22.04 lbs (10 kg)			



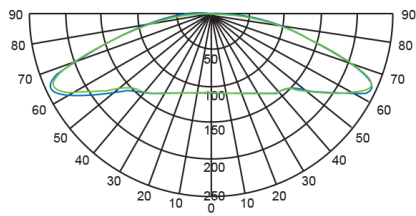


LED BOLLARD 25W/35W/50W/60W

ROUND FLAT TOP

11092916

Model Number	Correlated Color Temperature (CCT)	Finish	Controls
BBL2503 -	3,000 K	[OMIT] = Light Black	[OMIT] = None
BBL25035 -	3,500 K		
BBL2504 -	4,000 K	DB = Dark Brown	PC = 1-10 V / PWM
BBL25045 -	4,500 K		
BBL2505 -	5,000 K		
BBL3503 -	3,000 K		
BBL35035 -	3,500 K		
BBL3504 -	4,000 K		
BBL35045 -	4,500 K		
BBL3505 -	5,000 K		
BBL5003 -	3,000 K		
BBL50035 -	3,500 K		
BBL5004 -	4,000 K		
BBL50045 -	4,500 K		
BBL5005 -	5,000 K		
BBL6003 -	3,000 K		
BBL60035 -	3,500 K		
BBL6004 -	4,000 K		
BBL60045 -	4,500 K		
BBL6005 -	5,000 K		



CD 1,000 lm